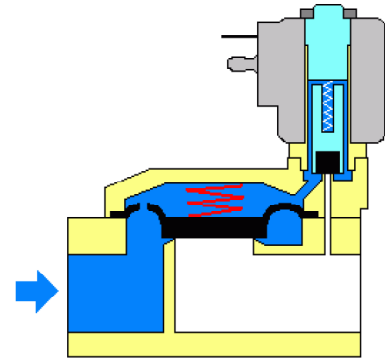
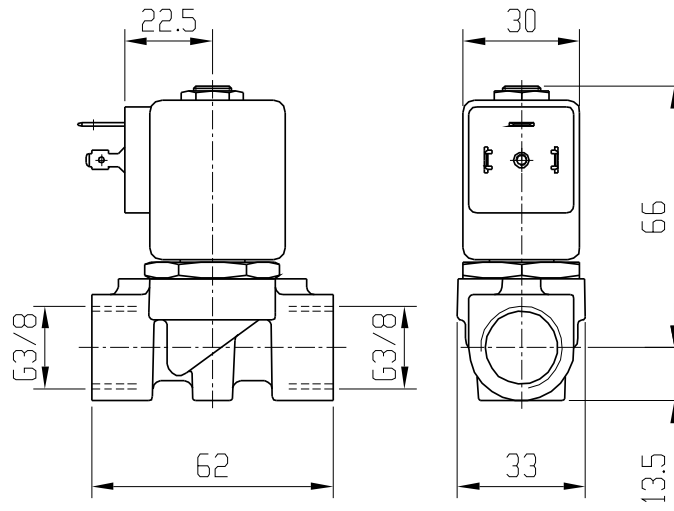
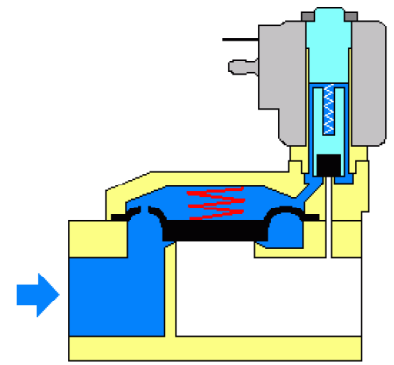
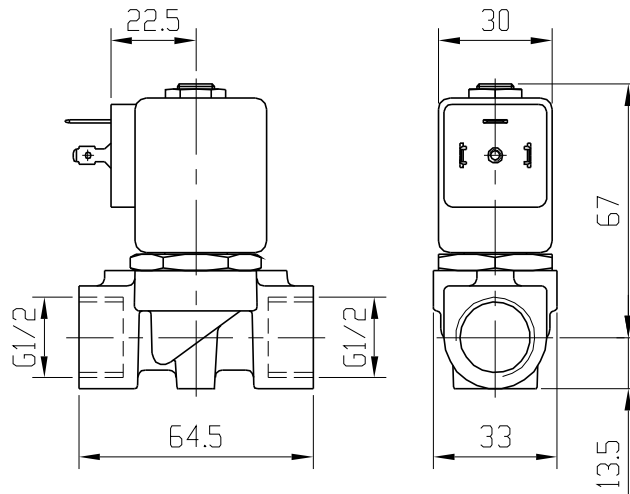


**Product 8150 en 8150A - Maat 3/8"**



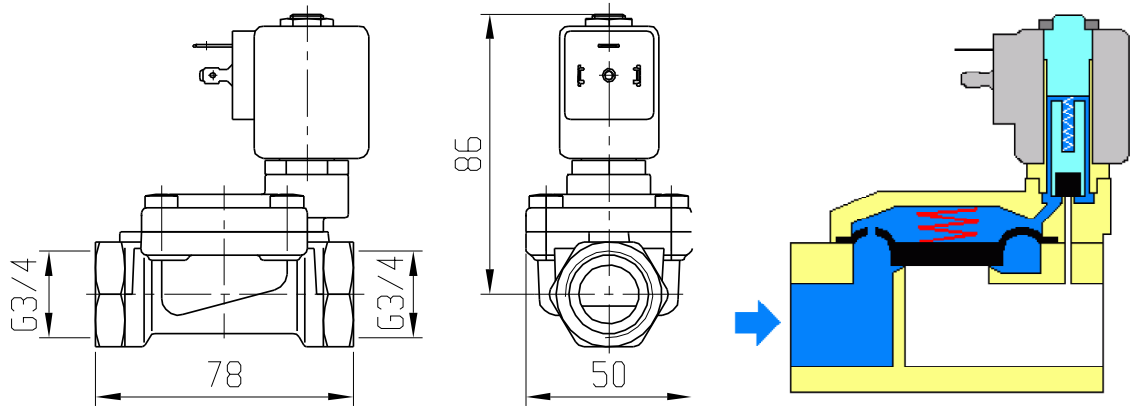
Ports	Orifice size [mm]	Flow coefficient Kv [l/min] water (ρ = 1 bar)	Differential pressure [bar]		Material		Mass [kg]	Coil type	Model	Voltage	Power [W]	Order code
			min	max	body	seal						
G3/8	10	20	0.3	12	Brass	NBR	0.42	TM30		230 V AC	7	
										115 V AC	10	
					48 V AC	7						
					24 V AC	7						
					8	Brass				NBR	0.42	
G3/8	10	20	0.3	12	Brass	EPDM	0.42	TM30		230 V AC	7	
										115 V AC	10	
					48 V AC	7						
					24 V AC	7						
					8	Brass				EPDM	0.42	
G3/8	10	20	0.3	12	Brass	FPM	0.42	TM30		230 V AC	7	
										115 V AC	10	
					48 V AC	7						
					24 V AC	7						
					8	Brass				FPM	0.42	

## Product 8150 en 8150A - Maat 1/2"



Ports	Orifice size [mm]	Flow coefficient Kv [l/min] water (p = 1 bar)	Differential pressure [bar]		Material		Mass [kg]	Coil type	Model	Voltage	Power [W]	Order code
			min	max	body	seal						
G1/2	10	20	0.3	12	Brass	NBR	0.42	TM30		230 V AC	7	
					115 V AC	10						
				8	Brass	NBR	0.42	TM30		48 V AC	7	
					24 V AC	10						
G1/2	10	20	0.3	12	Brass	EPDM	0.42	TM30		230 V AC	7	
					115 V AC	10						
				8	Brass	EPDM	0.42	TM30		48 V AC	7	
					24 V AC	10						
G1/2	10	20	0.3	12	Brass	FPM	0.42	TM30		230 V AC	7	
					115 V AC	10						
				8	Brass	FPM	0.42	TM30		48 V AC	7	
					24 V AC	7						
				8	Brass	FPM	0.42	TM30		24 V DC	10	

## Product 8150 en 8150A - Maat 3/4" tot en met 2"



Ports	Orifice size [mm]	Flow coefficient Kv [l/min] water (p = 1 bar)	Differential pressure [bar]		Material		Mass [kg]	Coil type	Model	Voltage	Power [W]	Order code
			min	max	body	seal						
G3/4	18	90	0.3	16	Brass	NBR	0.66	TM30		230 V AC	7	
										115 V AC	9	
										48 V AC	7	
										24 V AC	6	
										24 V DC	7	
										380 V AC	7	
				10	Brass	NBR	0.66	TM30/S		24 V DC	7	
G3/4	18	90	0.3	16	Brass	EPDM	0.66	TM30		230 V AC	7	
										115 V AC	10	
										48 V AC	7	
										24 V AC	7	
										24 V DC	7	
G3/4	18	90	0.3	12	Brass	FPM	0.66	TM30		230 V AC	8	
										12 V DC	18	
NPT3/4	18	90	0.3	12	Brass	NBR	0.66	TM30		115 V AC	10	

NIKI